

## DESCRIPTION

### BLOWER:

- Plug-in, permanently lubricated motor - engineered for continuous operation
- Dynamically balanced centrifugal blower wheel for quiet, efficient performance
- Low RPM for quiet operation

### HOUSING:

- Rugged, 26 gauge, galvanized steel construction
- Polymeric, 6" round duct connector with tapered sleeve and no metallic clatter
- 6" round to 4" round duct reducer included - allows connection of 4" round ductwork
- 7-5/8" height allows for 2" x 8" (nominal) joist installations
- Sturdy, easy, four-point mounting directly to joist
- Includes unique spacer (patented) for mounting to engineered "I" joists
- Includes hanger bars to position housing anywhere between 16" to 24"-on-center joists
- Two sets of mounting holes for hanger bars allow flush installation with bottom or top of drywall
- Can be mounted in ceilings up to 12/12 pitch

### GRILLE:

- Polymeric construction
- Innovative design - the result of extensive research with designers and consumers
- Energy efficient lighting - uses (2) 18W (max.) high efficiency, type GU24 based fluorescent lamps with M.O.L. (maximum overall length) of 3.9" (100mm) as illustrated, and 4W LED night light
- Durable steel reflector with white enamel finish

### CONTROLS (Purchase separately):

- Refer to NuTone's catalog for a complete line of accessories to effectively adapt these fans to your construction requirements.

U.L. Listed for use over bathtubs and showers when connected to a GFCI protected branch circuit (ceiling mount only).

U.L. Listed for use in insulated ceilings (Type I.C.)

3-Year Warranty

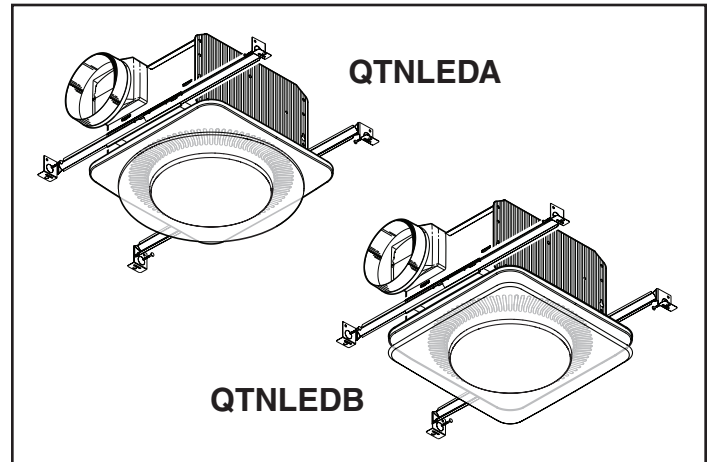


## INSTALLATION

Complete installation instructions are included with each Fan/Light/Night Light.

Broan-NuTone LLC Hartford, Wisconsin www.nutone.com 888-336-3948  
Broan-NuTone Canada Mississauga, Ontario www.nutone.ca 877-896-1119

# Models QTNLEDA QTNLEDB Fan/Light/LED Night Lights



## ARCHITECT'S SPECIFICATION

- Fan shall be NuTone Model QTNLEDA (QTNLEDB).
- Fan shall have corrosion resistant galvanized steel housing with four-point mounting capability. It shall be ducted to a roof or wall cap using 6" round or 4" round ductwork.
- Blower assembly shall be removable, have a centrifugal-type blower wheel, a permanently lubricated motor designed for continuous operation, and mounted with resilient anti-vibration mounts.
- 6" round non-metallic damper/duct connector and 6" round to 4" round duct reducer shall be included.
- Lamps shall be (2) 18W (max.) high efficiency, type GU24 based fluorescents with M.O.L. (maximum overall length) of 3.9" (100mm) as illustrated, with separate 4W LED night light.
- Air delivery shall be no less than 110 CFM and sound level no greater than 0.7 Sones when using 6" duct connector (90 CFM / 0.9 Sones when using 6" round to 4" round duct reducer). All air and sound ratings shall be certified by HVI.
- Fan shall be ENERGY STAR® qualified and have an energy efficient permanent split capacitor motor.
- Fan shall be U.L. Listed for use over bathtubs and showers when connected to a GFCI protected branch circuit.

REFERENCE	QTY.	REMARKS	Project
			Location
			Architect
			Engineer
			Contractor
			Submitted by Date

# PERFORMANCE RATINGS

## MODELS QTNLEDA & QTNLEDB FAN/LIGHT/LED NIGHT LIGHTS

### HVI PERFORMANCE

Models	Static Pressure (Ps)	CFM	Sones	Fan Watts	
QTNLEDA	0.10	110	0.7	34.9	with 6" round duct connector
	0.25	90			
QTNLEDB	0.10	90	0.9	34.5	with 6" round to 4" round duct reducer
	0.25	72			



HVI-2100 CERTIFIED RATINGS comply with new testing technologies and procedures prescribed by the Home Ventilating Institute, for off-the-shelf products, as they are available to consumers. Product performance is rated at 0.1 in. static pressure, based on tests conducted in a state-of-the-art test laboratory. Sones are a measure of humanly-perceived loudness, based on laboratory measurements.

### AMPS

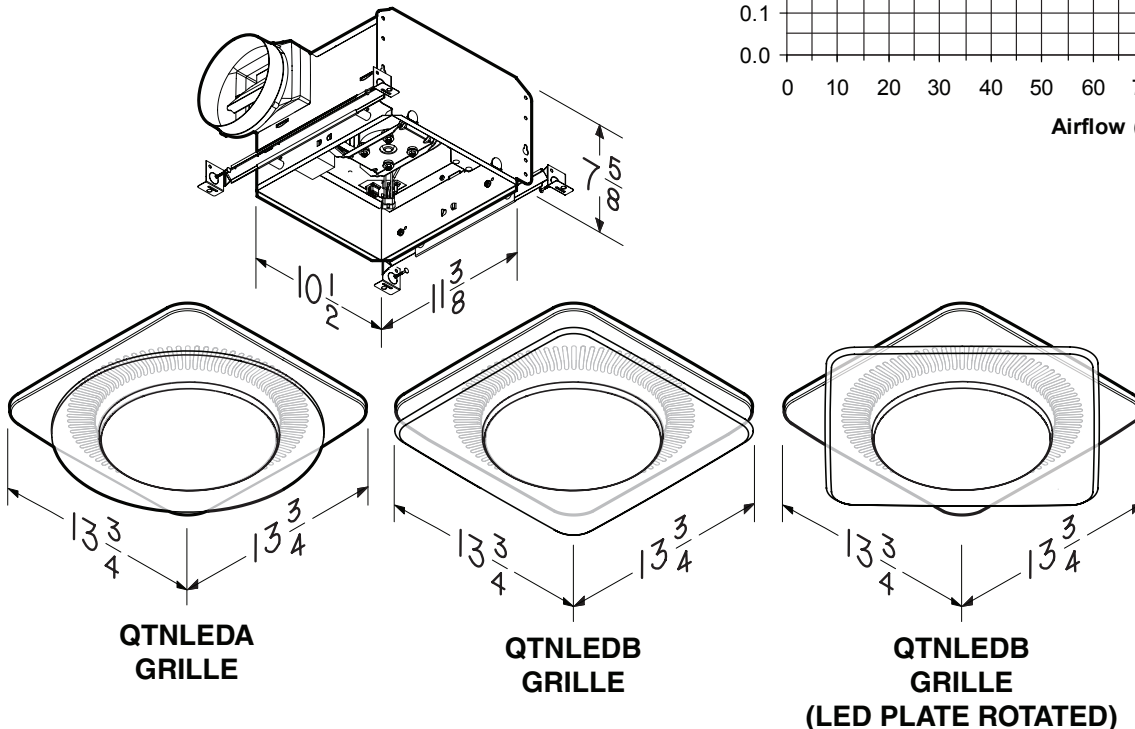
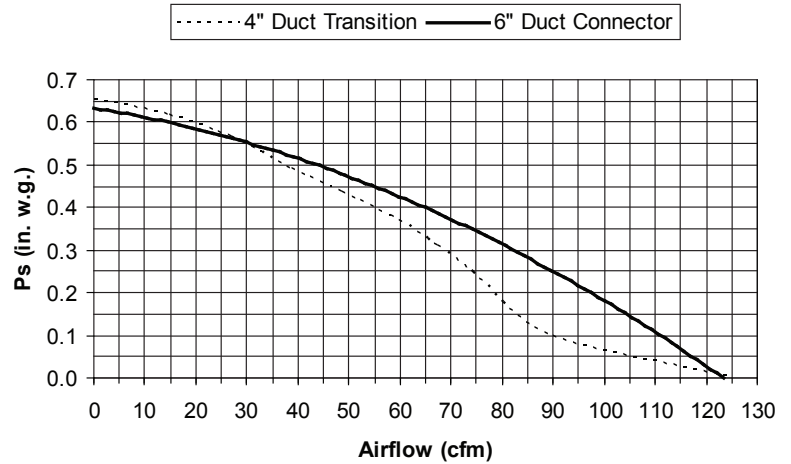
Model	Amps
QTNLEDA	1.0
QTNLEDB	1.0

### WEIGHT

Model	Shipping Weight
QTNLEDA	13.6 lbs.
QTNLEDB	13.9 lbs.

### AIR FLOW PERFORMANCE

#### MODELS QTNLEDA & QTNLEDB



Broan-NuTone LLC Hartford, Wisconsin www.nutone.com 888-336-3948  
 Broan-NuTone Canada Mississauga, Ontario www.nutone.ca 877-896-1119